

Feature:

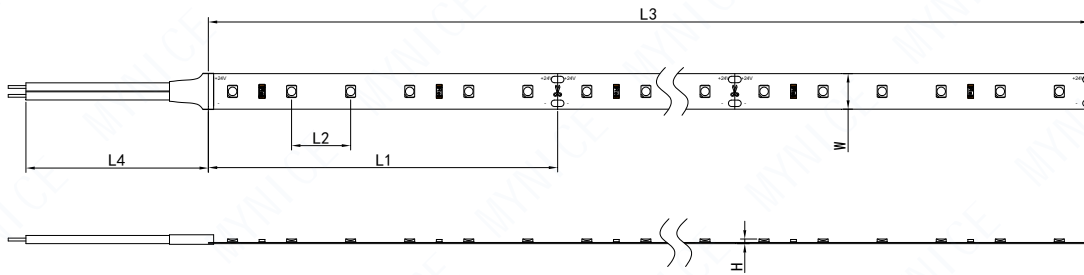


- High quality LED,long lifetime;
- Package SMD3528,good color consistency;
- Double PCB, reduce the voltage drop;
- Leds with one BIN system, consistent color, also Ra80/90 for choice.

| <u>Technical Specifications:</u> | | | | Symbol | CCT | Flux Lm/m |
|----------------------------------|-------------|---------|---|--------|----------|-----------|
| Rated Power | 6W/m | Control | / | ● | 2700K | 420 |
| Rated Voltage | DC24V | Pixel | / | ● | 3000K | 450 |
| LED Qty. | 60LED/m | | | ● | 4000K | 480 |
| LED Package | SMD3528 | | | ● | 5000K | 480 |
| Colour/Ra | Ra>80 | | | ● | 6500K | 465 |
| Beam Angle | 120° | | | ● | Red | |
| SDCM | 3/5SDCM | | | ● | Green | |
| Operating Temp. | -20~45°C | | | ● | Blue | |
| Storage Temp. | -25~60°C | | | ● | RGB/RGBW | |
| Lifespan | >50000Hours | | | | | |
| International Protection | IP20 | | | | | |
| Inverse Kinematics | / | | | | | |

※The above power lumen data is based on the measurement results when the product length is 1 meter and the color temperature is 4000K, with a measurement deviation of ±10%.

Product Size:



| | | | | | | Units: mm |
|-----------|--------|-------------|-----------|----------|---------|-----------|
| Code | Cut/L1 | Distance/L2 | Length/L3 | Cable/L4 | Width/W | Height/H |
| Value | 100 | 16.67 | 5000 | 150 | 10 | 2.2 |
| Tolerance | ±0.2 | ±0.2 | ±10 | ±10 | ±0.1 | ±0.2 |

Accessory Information:



General installation



Good fixation

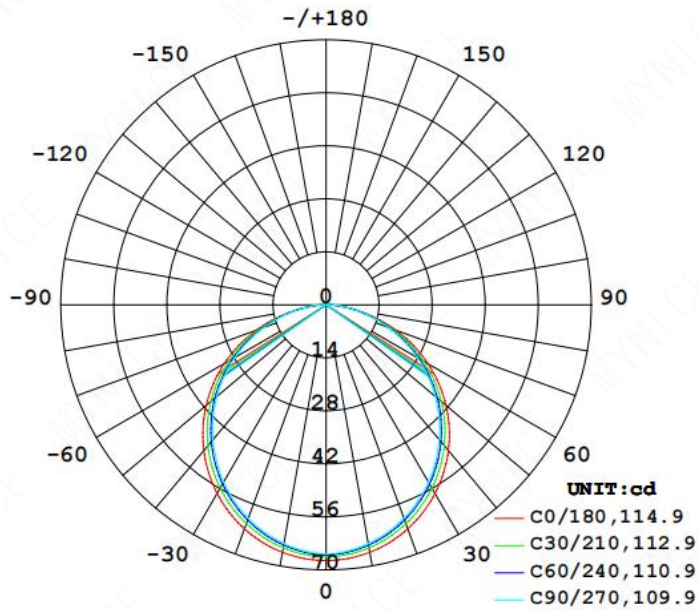


Long term durability



※ The buckle is optional

Luminous Intensity Distribution Diagram:

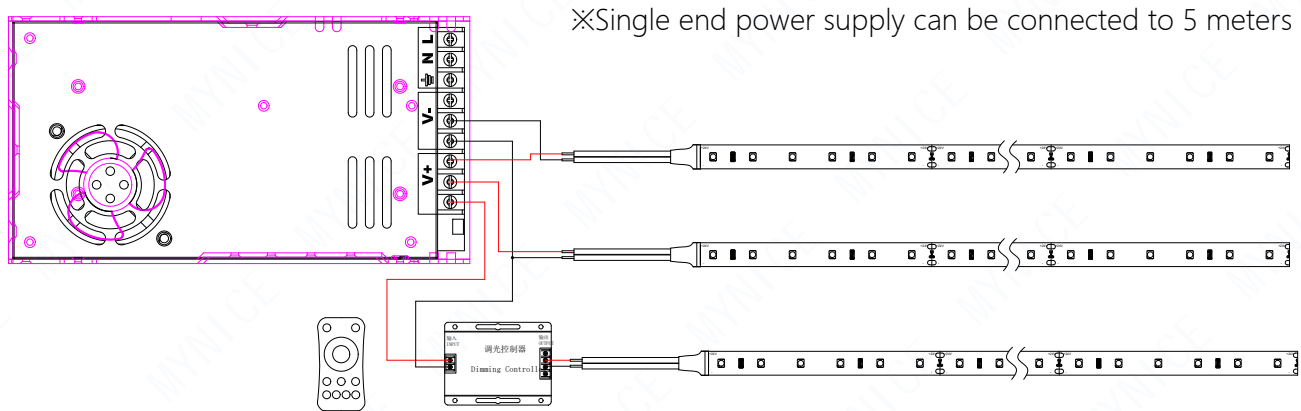


Average Beam Angle(50%):116.3 DEG

Packaging Information :

| Net weight (g) | Inner box size (cm)/weight (kg) | Qty PCS/CTN | Carton Size(cm)/GW.(kg) |
|----------------|---------------------------------|-------------|-------------------------|
| | | | |

Electric Diagram:



※The dimmer can be connected to achieve dimming

Cautions:

- Installation of LED strips (with power supplies) needs to be made under consideration of all valid regulations and norms.
- Installation by qualified electrician only.
- Please drive the led strip with isolated power, and the ripple of the constant voltage source should be less than 5%.
- Please do not bend the strip into an arc with a diameter less than 20mm to ensure the longevity and reliability.
- Do not fold it in case any damage of LED beads.
- Do not pull the power wire hard to ensure the longevity. Any crash may damage the colloidal surface is prohibited.
- Please make sure the wire is connected to the anode and cathode correctly. The power output should be consistent with the voltage of the strip to avoid damage.
- LED lights should be stored in dry, sealed environment. Please only unpack it before usage. Ambient temperature: -20 °C ~ + 45 °C. Storage temperature: -25 °C ~ + 60 °C/60%RH.
- Please use the strips without waterproof within indoor environment with humidity less than 70%.
- Please be careful during operation. Do not touch the AC power supply in case of electric shock.
- Please leave at least 20% power for the power supply during using to ensure there is enough power supply to drive the product.
- Do not use any acid or alkaline adhesives to fix the product (e.g.: glass cement).
- The joints of extended strips should be deal with waterproof when using waterproof products.