

# Product Technical Datasheet



## MP4

- M24GW10E ○
- M24GW10E - TW ● ○

## Areas of application

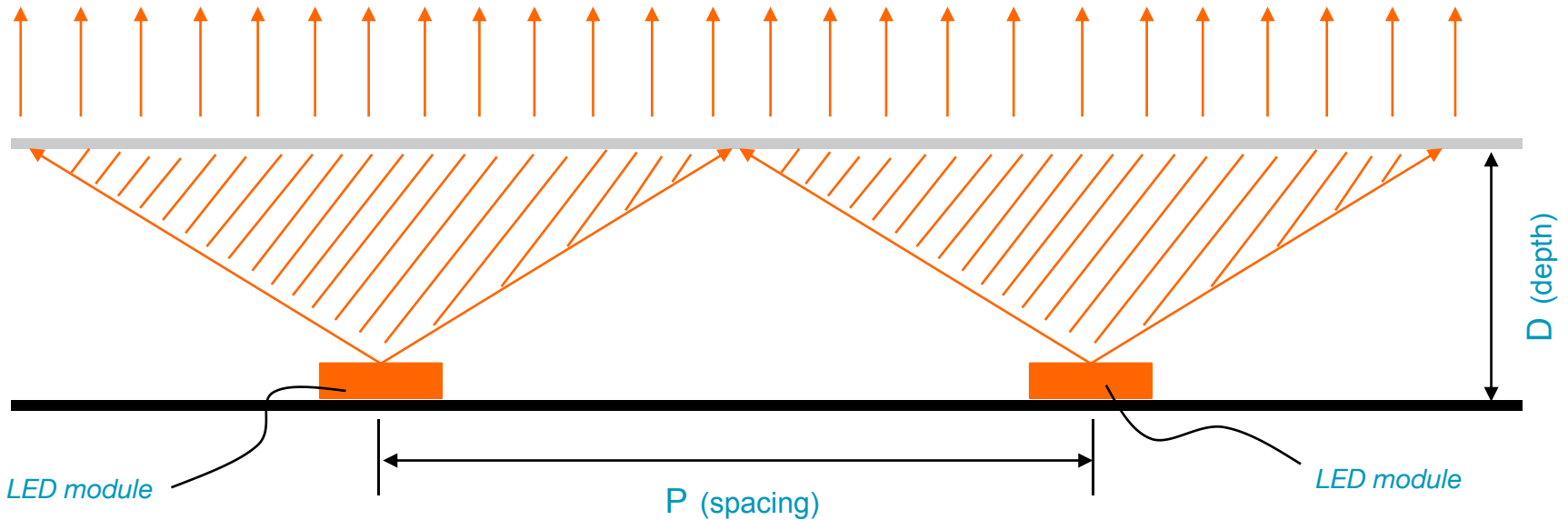
- Signage and illuminated advertising.
- Back-lighting for medium and large light box, channel letter.
- Can be installed with mounting profile (customized).
- Best for 100mm ~ 250mm (4~10inch) depth.

## Product main benefits

- Wider optics lens design can get more uniformity light spot in application.
- Can be used in combination with mounting profile for easy installation and replacement.
- 5 years warranty.
- 2 W/module, 160 lm/W (6500K).



# Optics Technology (wide light spot)



$$\text{optical performance proportion} = \frac{D(\text{depth})}{P(\text{spacing})} = 1:3$$

- The optical performance proportion can show the performance of lens optics design.
- The bigger proportion, the larger light spot.
- The proportion is for reference from lab, actual layout need based on real application.

## Electrical and Photometrical data (Single Color) ○

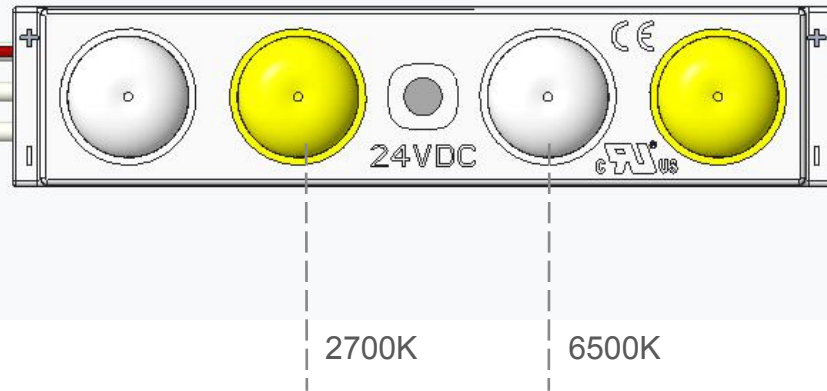
Electrical data	Part Numbers	Typical Voltage	Energy Consumption			Additional Information
MP4	M24GW10E	24VDC	2.0 W/module	60 W/chain	2.9 W/ft.	30 modules/chain

Photometrical data	Part Numbers	Light color (designation)	CCT	Typical Brightness		
MP4	M24GW10E	Cold white	8000K/10000K	320 lm/module	9600 lm/chain	465 lm/ft.
MP4	M24GW10E	White	5000K/6500K/7100K	340 lm/module	9800 lm/chain	494 lm/ft.
MP4	M24GW10E	Warm white	3000K/4000K	320 lm/module	9600 lm/chain	465 lm/ft.

*Remark:*

1. *Ranking at  $t_a = 25^\circ\text{C}$ .*
2. *Constant current design.*
3. *Tolerance of measurements for power/lumen are  $\pm 10\%$ .*

# Electrical and Photometrical data (Tunable White) ● ○



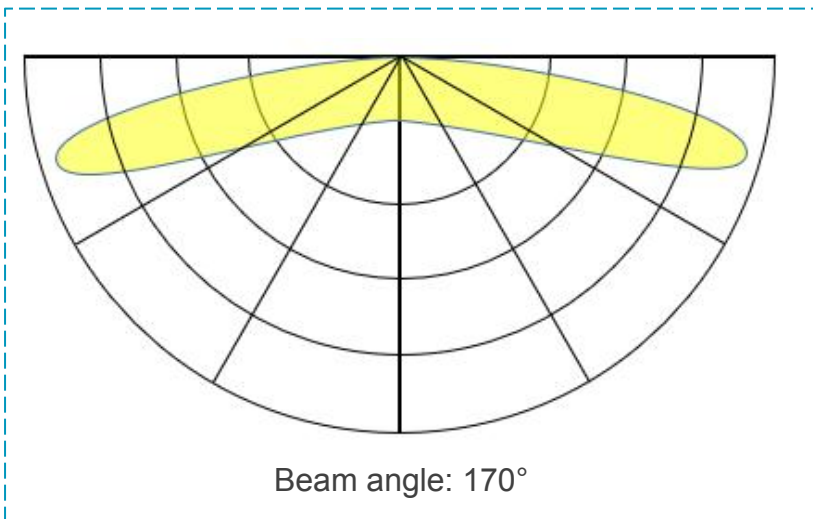
Part number	Light color	CCT	Power/channel	Lumen/channel
M24GW10E - TW (30 modules/chain)	Warm white channel	2700K	1W	150lm
	Cool white channel	6500K	1W	170lm
	TW both channels	2700K~6500K	2W	320lm

## Remark:

1. Ranking at  $t_a = 25^\circ\text{C}$ .
2. Constant current design.
3. Tolerance of measurements for power/lumen are  $\pm 10\%$ .

# Application Conditions and light distribution

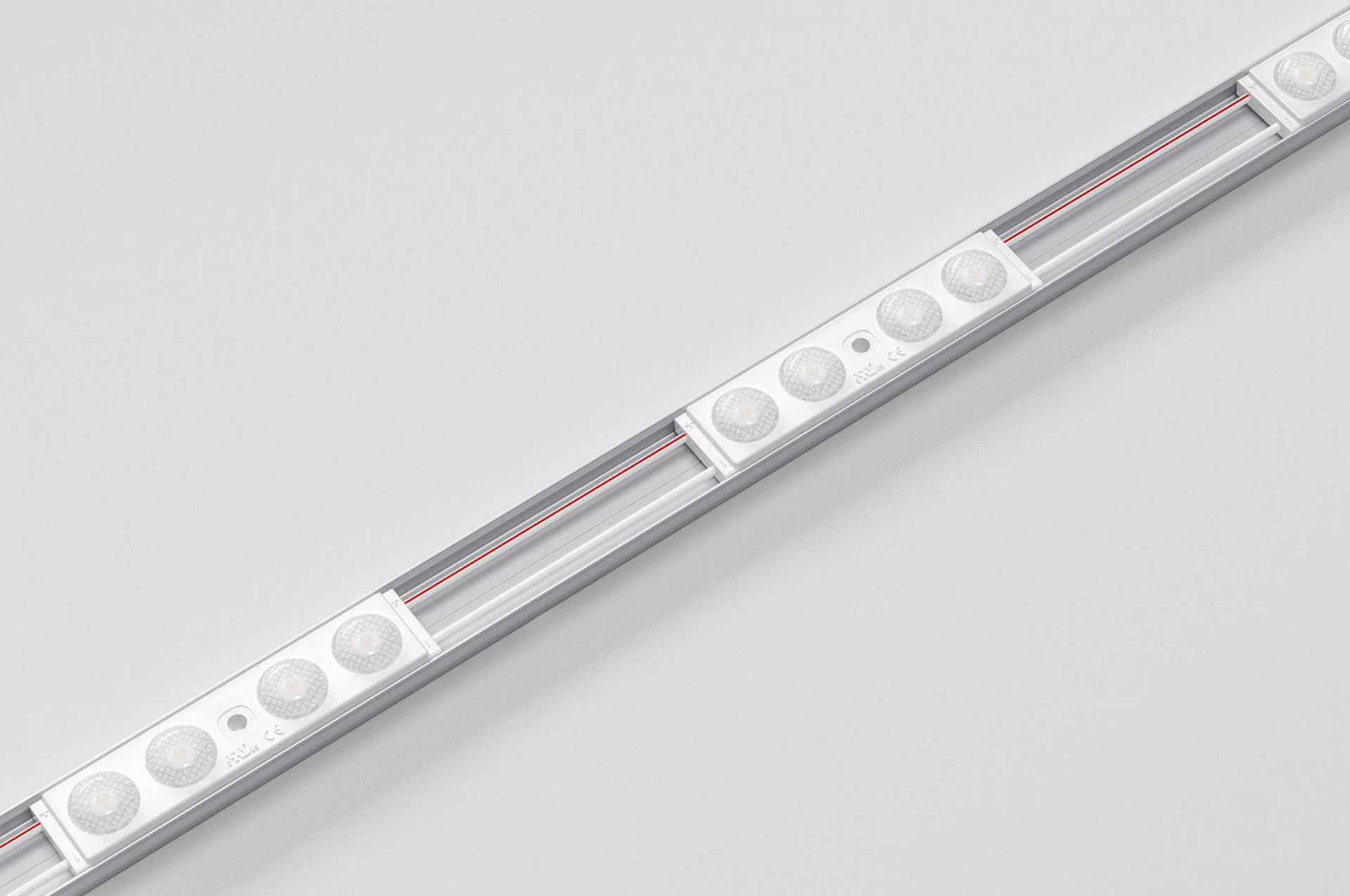
Operating Environment ( $t_a$ )	-25°C to +55°C
Storage Temperature Range ( $t_s$ )	-40°C to +85°C
IP Rating	IP66
Lifetime (L70B50)	5 years
$t_c$ temperature	80°C
Dimming mode	Dimmable
Cutting Resolution	Cut on wire between every module



Installed with mounting profile



Installed with mounting profile

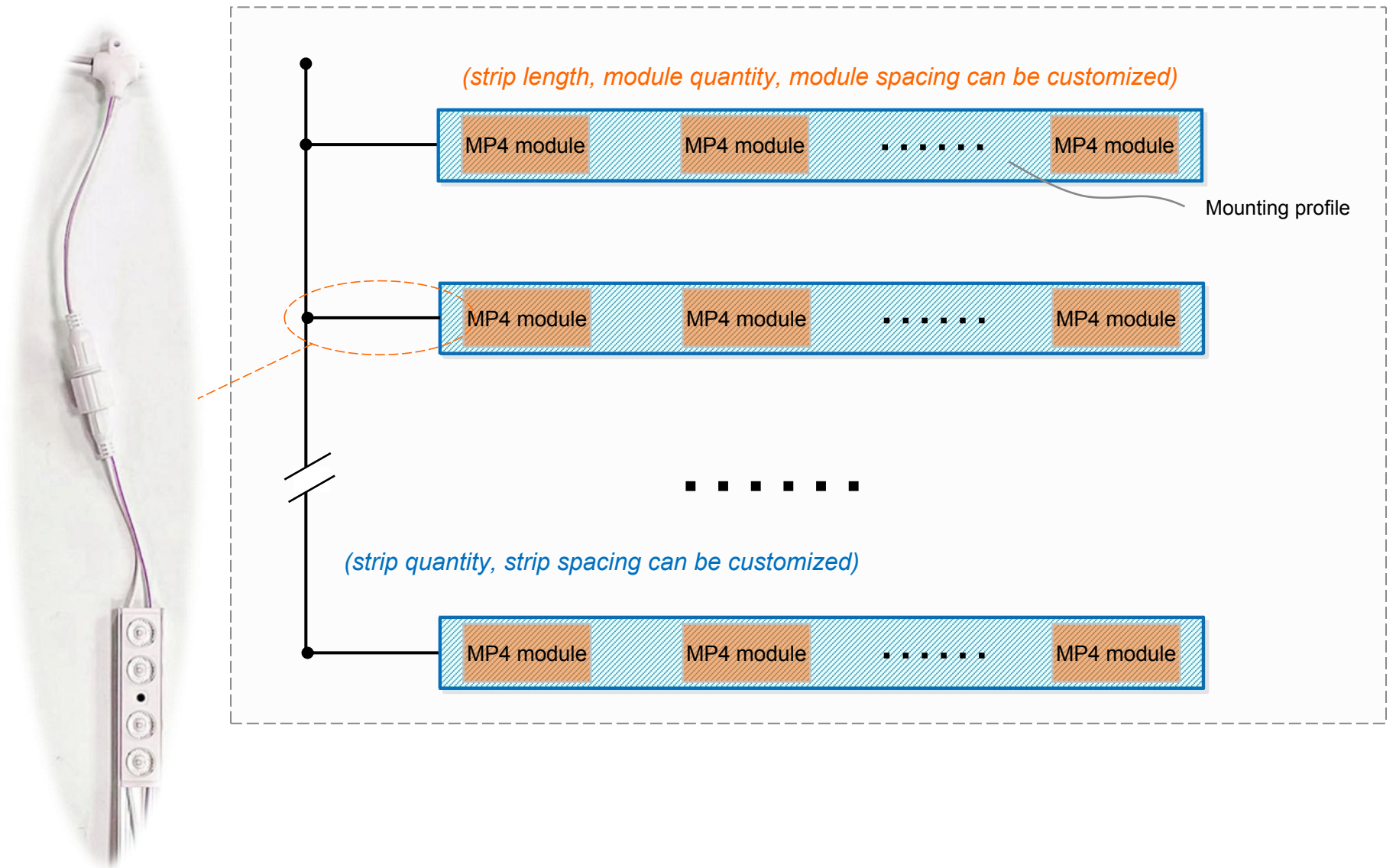




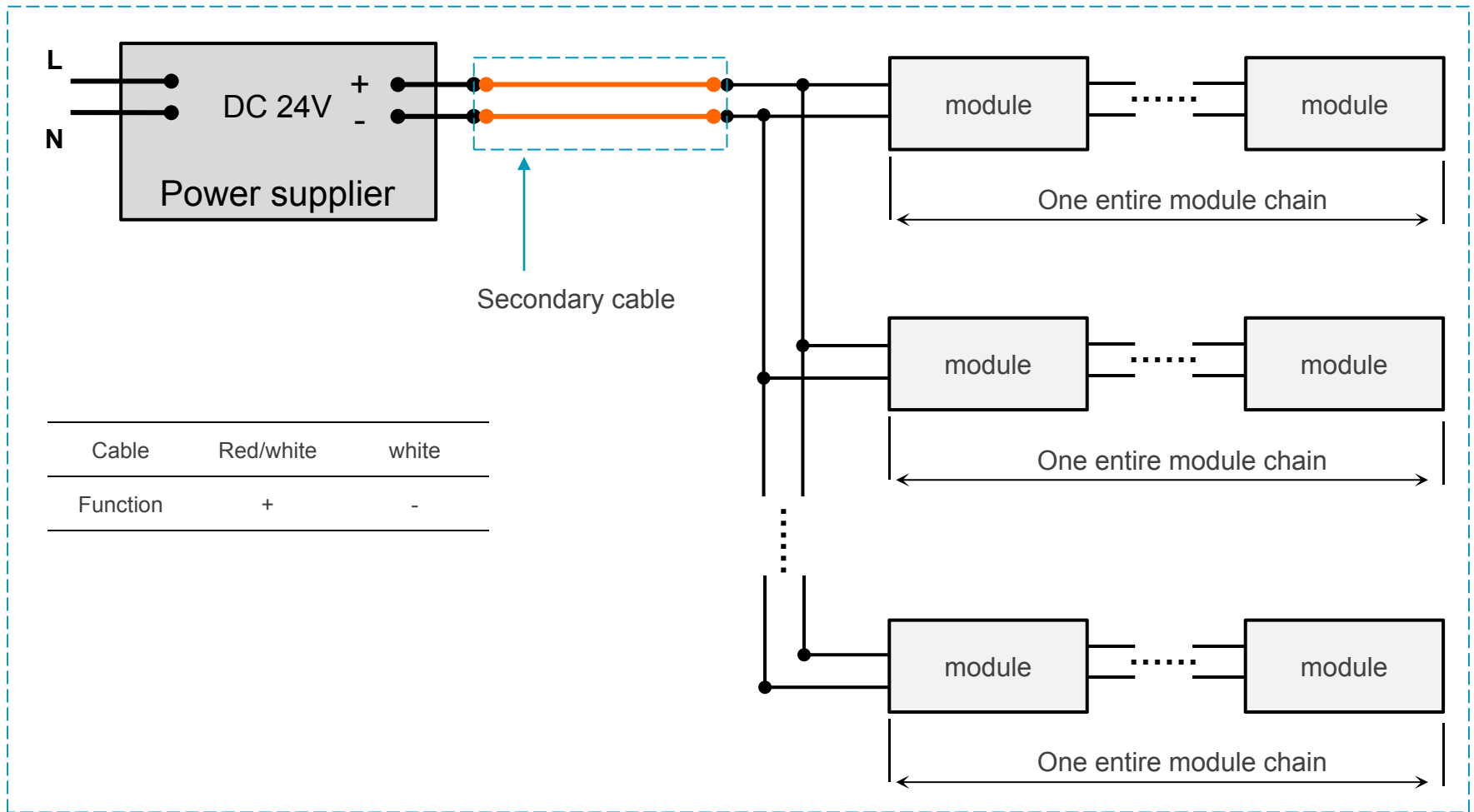
**Installed with mounting profile**



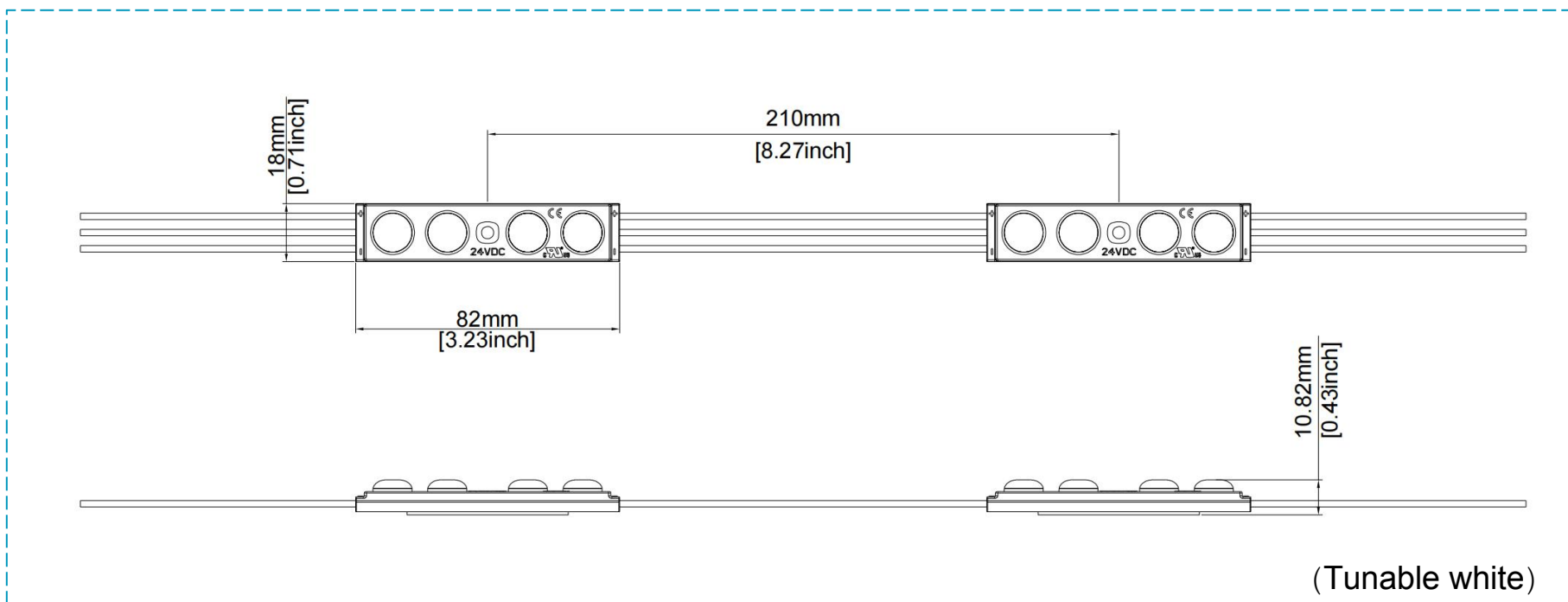
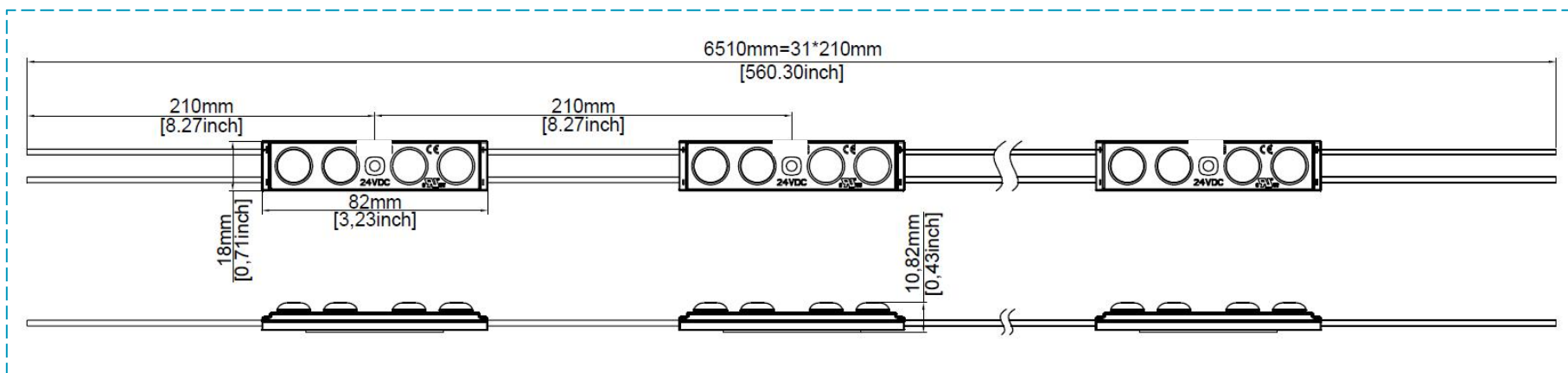
# Installed with mounting profile



# Wiring method



# Drawing



# Package and additional information

Products	Part Numbers	Package unit (modules/carton box)	Carton box Dimensions (length x width x height)
MP4	M24GW10E M24GW10E-TW		

## Additional information:

- Installation of LED modules (with power supplies) needs to be made under consideration of all valid regulations and norms.
- Installation by qualified electrician only.
- Parallel connection is mandatory for safe electrical operation. Serial connection of LED modules is discouraged. Unbalanced voltage drop in serial connection can cause hazardous overload
- Electrical contact is achieved with the contact cables or the terminals of the module. Please refer to the technical data for maximum number of LED modules that can be operated on one control gear.
- To avoid mechanical damage, the LED modules have to be attached securely to the intended mounting surface. It is recommended to avoid heavy vibration.
- LED modules are dimmable by means of PWM (pulse width modulation).
- During installation, it is highly recommended to install modules with screws to ensure long-term stability. Other means of securing modules(sealant, vinyl, etc.) are also acceptable.